

PARTS LIST

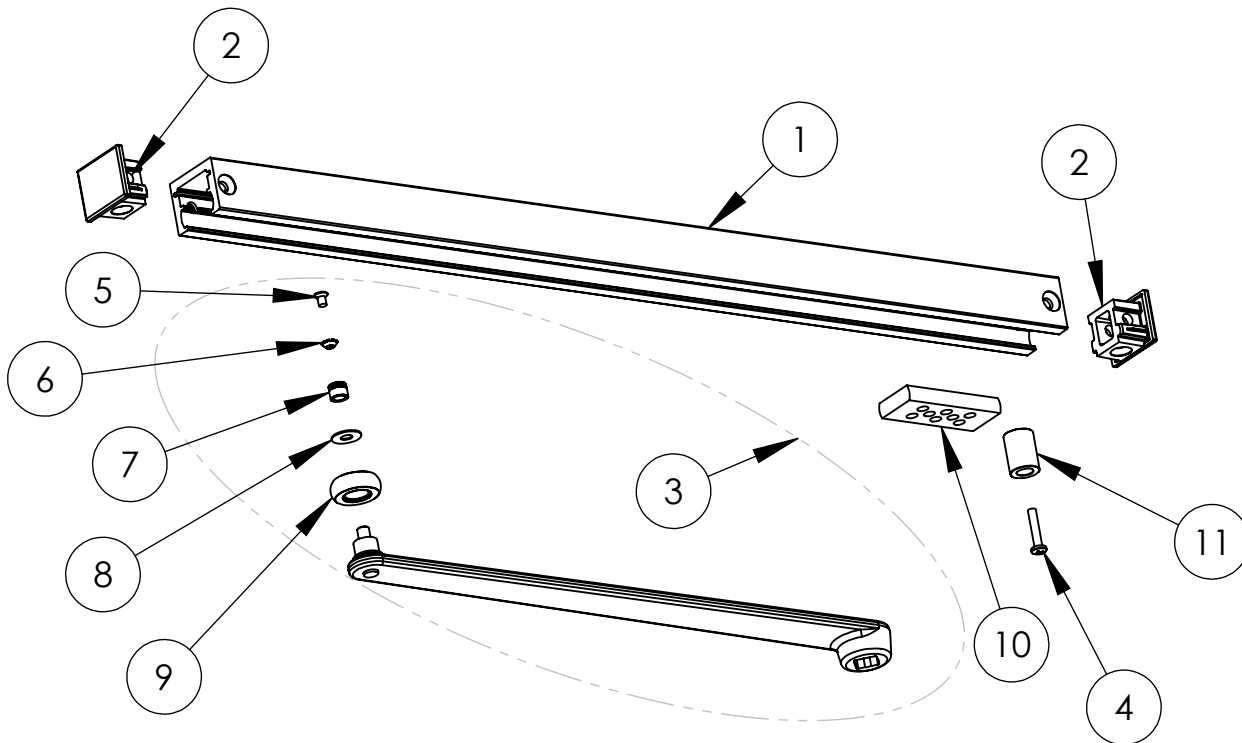
25-OTB TRACK TYPE ARM
WITH BUMPER, PULL SIDE

PARTS LIST

PAGE REV.
No. No.
14 B

3/2011

ITEM No.	PART No.	DESCRIPTION	QTY.
1	*63-0157	CHANNEL PULL	1
2	*63-0682	END CAP	2
3	*63-3901	MAIN ARM ASSEMBLY (TRACK TYPE)	1
4	01-0134	#8-32 x 13/16" PHILLIPS PAN HEAD MACHINE SCREW	1
5	01-1028	#8-32 x 1/4" FLAT UNDERCUT HEAD SCREW	1
6	01-0930	COUNTERSUNK LOCK WASHER	1
7	63-0738	ROLLER BUSHING	1
8	63-0687	WASHER	1
9	63-3900	ROLLER & BEARING ASSEMBLY	1
10	63-0377	BUMPER	1
11	63-0396	BUMPER STOP	1
12	*63-3482	SCREW PACK (NOT SHOWN)	1



* FINISH REQUIRED: POWDER COAT FINISHES - EB, EN, ED, EP, EAB.

© SARGENT Manufacturing Company. An ASSA ABLOY GROUP Company. All Rights reserved.

SARGENT
ASSA ABLOY