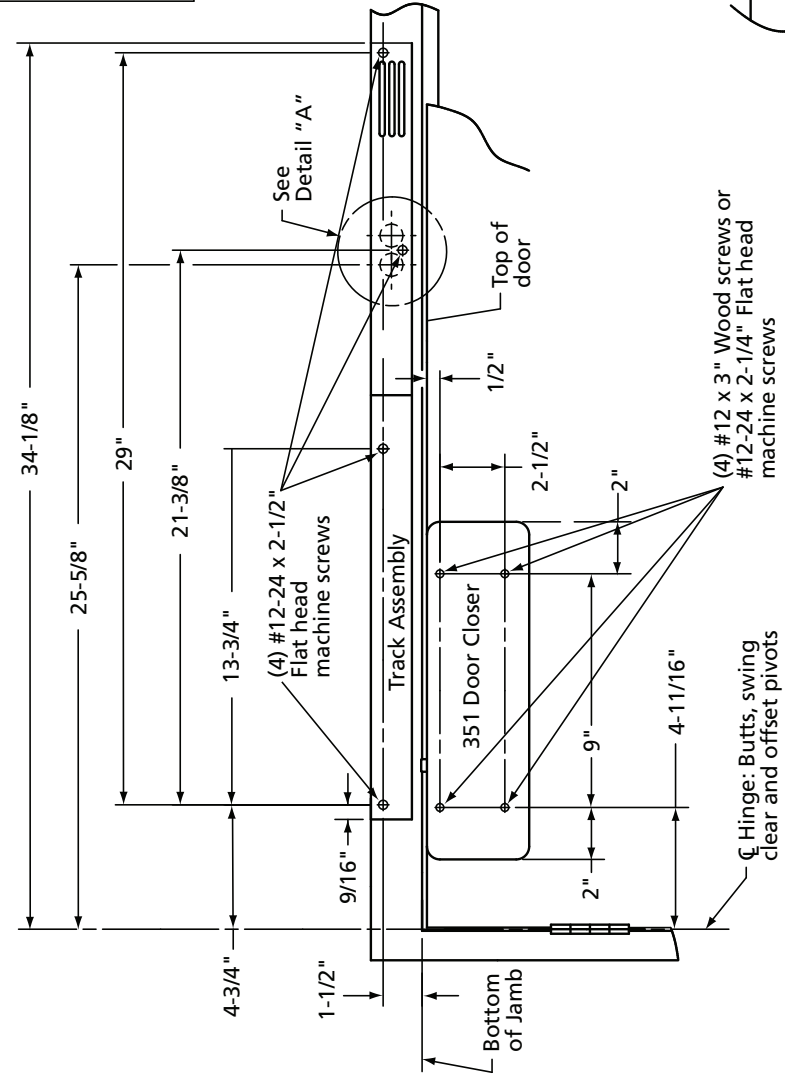


SARGENT Manufacturing Company 100 Sargent Drive New Haven, Ct 06611	RELEASE DATE OCT 03
DATA SHEET 12-2468 Closer-Holder with Smoke Detector Unit, Pull Side Mounting	TEMPLATE NO. A7700A

Copyright © 2008, Sargent Manufacturing Company, an ASSA ABLOY Group company. All rights reserved. Reproduction in whole or in part without the express written permission of Sargent Manufacturing Company is prohibited.
A7694C



- NOTES**
1. Reinforce metal doors and frames per ANSI A250.8 & SDI-100, 12 gauge recommended.
 2. Right hand door shown, left hand opposite.
 3. For narrow rail doors (minimum 2-1/8"), use 351-A drop plate; see template A6772.

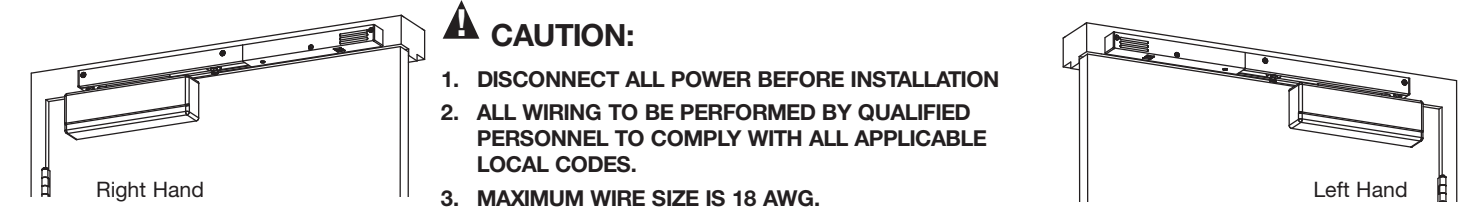
ASSA ABLOY, the global leader in door opening solutions

SARGENT® 12-2468 FIREGUARD® Closer-Holder Device
PULL SIDE INSTALLATION INSTRUCTIONS

CAUTION: FAILURE TO INSTALL OR ADJUST PROPERLY MAY RESULT IN INJURY OR DAMAGE.
For assistance, contact SARGENT at 800-810-WIRE (9473) or www.sargentlock.com

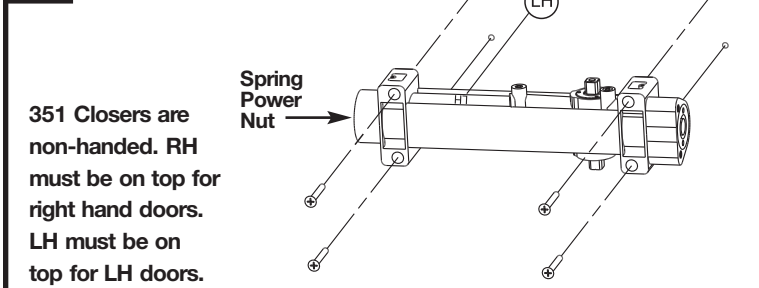
IMPORTANT NOTE: Fire Alarm Control Panels that cannot ignore a 0.5 second closure during a power cycle, can not be used with a 12- Fireguard (smoke detector) product. For more information see bottom of this page or contact SARGENT Technical Support.

NOTE: AN AUXILIARY DOOR STOP IS REQUIRED AT HOLD OPEN

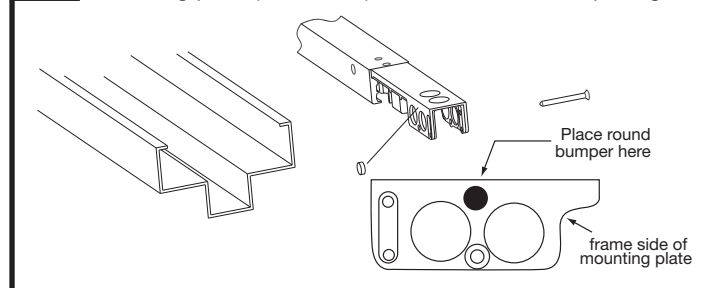


1 Use enclosed template and drill and tap door and frame for 12-24 machine screws, and prepare hole for conduit. **Do not drill through channel, as damage will occur voiding warranty.**

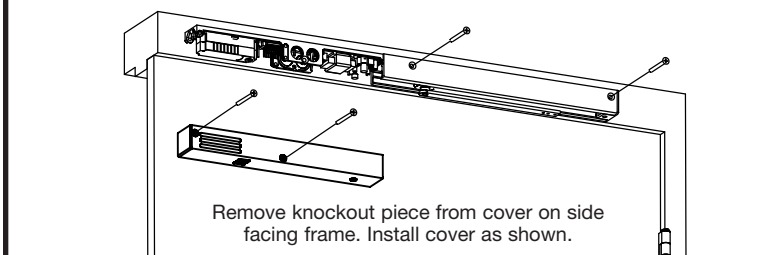
2 Install closer body to door with spring power nut away from hinge. Left hand shown.



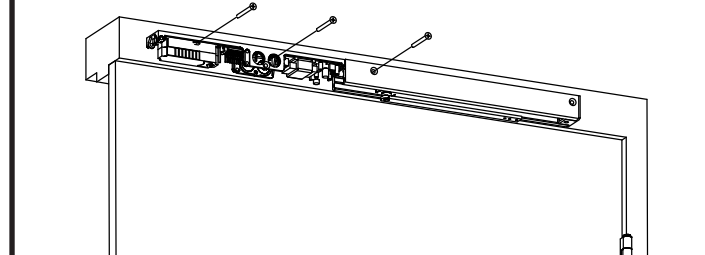
3 To provide clearance for cover, install rubber spacer to mounting plate (frame side) in between conduit openings.



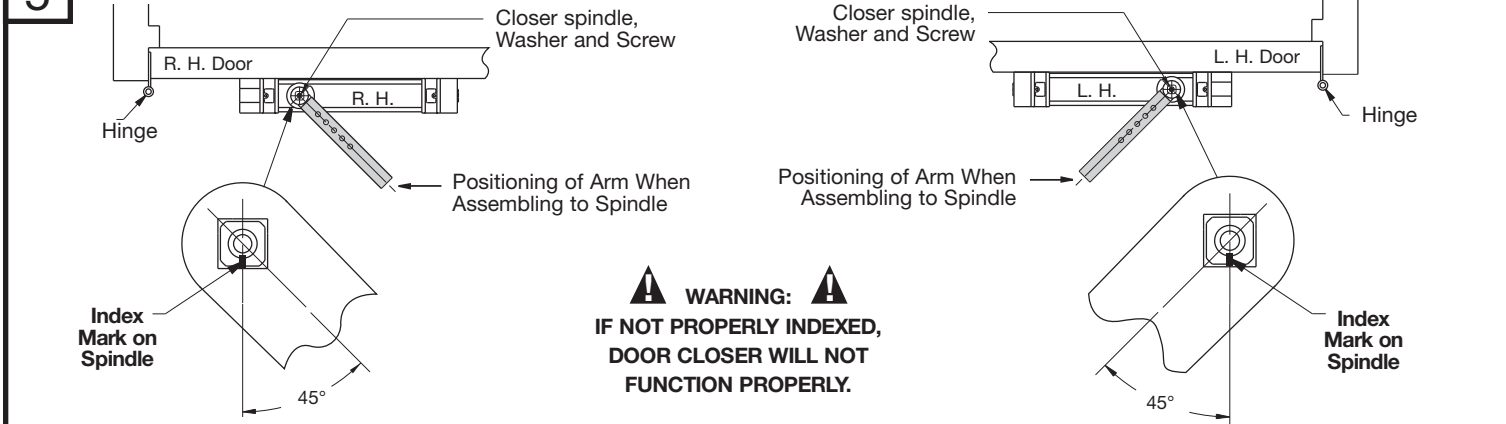
4 Secure track to frame with electronics away from hinge with screws provided. Secure conduit or cable (not supplied) per local codes. Wire unit according to wiring shown on page 3.



4A For retrofit 2467 installation: Install track using screws shown. Then mark remaining hole, remove track and drill and tap.



5 Use screw and washer to secure main arm to spindle with index mark as shown.



NOTE: The Smoke Detector on the 12- Fireguard product has a momentary contact closure of the Alarm output pins 1 and 2 when incoming power is applied or removed from the Fireguard unit. Conventional FACP's (Fire Alarm Control Panels) may not have circuitry to compensate for this momentary short of 0.5 seconds or less across pins 1 and 2 and may detect a fault, while Addressable FACP's have the necessary circuitry to compensate for this. For FACP's that cannot ignore a 0.5 second closure during a power cycles do not use the 12- Fireguard (smoke detector) products. Contact SARGENT Technical Support for more details.

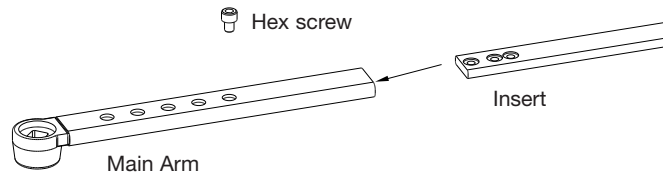
Copyright © 2008, Sargent Manufacturing Company, an ASSA ABLOY Group company. All rights reserved. Reproduction in whole or in part without the express written permission of Sargent Manufacturing Company is prohibited.

6

Adjust hold open angle by adjusting arm length:

Range of 85° to 115° is obtainable.

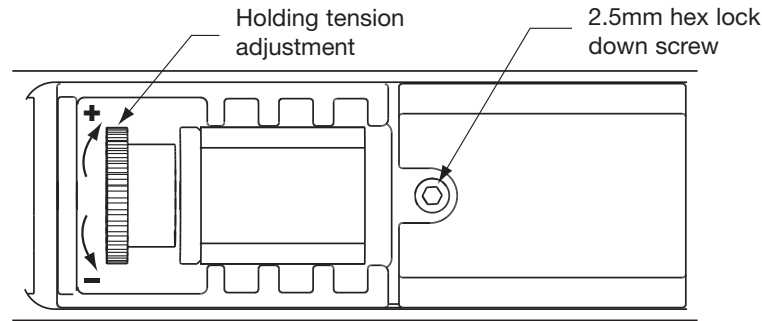
With roller assembly in hold open setting, open door and slide insert into main arm for desired hold open. Secure arms with 9/64" hex screw.



Final Adjustment and Regulating Procedures

To adjust holding tension:

- Loosen 2.5mm lock down screw.
- Turn knob for desired tension.
- Retighten 2.5mm lock down screw.
- Install cover plate with 3 screws as shown in step 4.

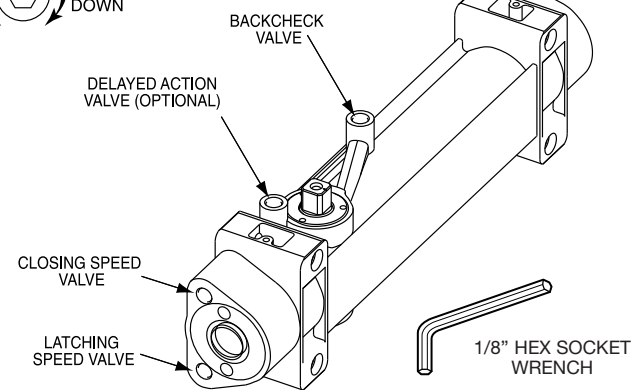


Closing and latching speeds:

Turn valves clockwise to slow down or counterclockwise to speed up door movement.

Backcheck:

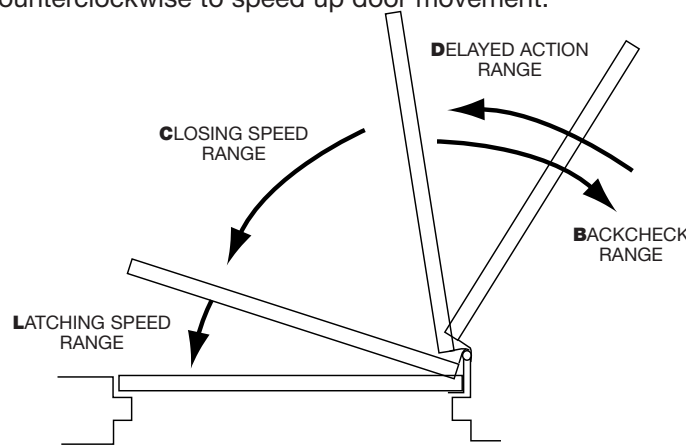
Turn valve clockwise to increase or counterclockwise to decrease.



CAUTION: SET VALVE FOR SLIGHT CUSHIONING EFFECT. CLOSER CAN BE DAMAGED IF THE CHECKING ACTION IS TOO ABRUPT. NEVER USE THE BACKCHECK AS A DOOR STOP. ALWAYS USE A DOOR STOP TO STOP THE DOOR.

Delayed action feature (optional feature):

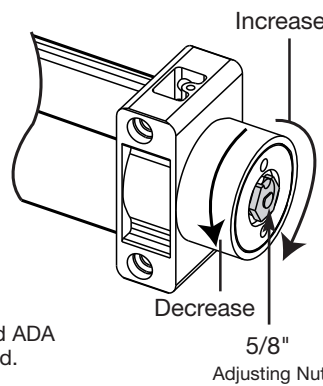
When provided, turn valve clockwise to slow down or counterclockwise to speed up door movement.



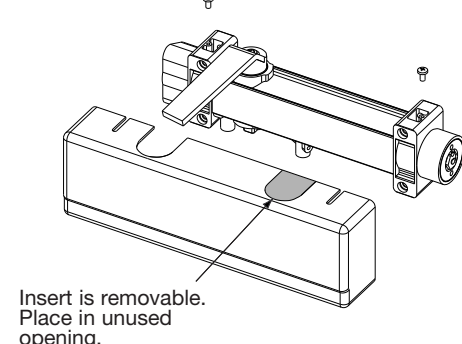
Adjust power to allow door to close and latch.

NUMBER OF TURNS OF SPRING POWER ADJUSTING NUT		
DOOR WIDTH (INCHES)	EXTERIOR DOORS	INTERIOR DOORS
30-36	FACTORY SET	FACTORY SET
36-42	TURN nut 1-4 ↙	TURN nut 1-3 ↙
42-48	TURN nut 7-9 ↘	TURN nut 4-6 ↘

Adjusting door to close due to high draft conditions may exceed ADA Standards. Consult local ordinances when fire doors are involved.



Install cover as shown.



Insert is removable. Place in unused opening.

SARGENT

ASSA ABLOY

ASSA ABLOY, the global leader in door opening solutions

Copyright © 2008, Sargent Manufacturing Company, an ASSA ABLOY Group company. All rights reserved. Reproduction in whole or in part without the express written permission of Sargent Manufacturing Company is prohibited. A7694C

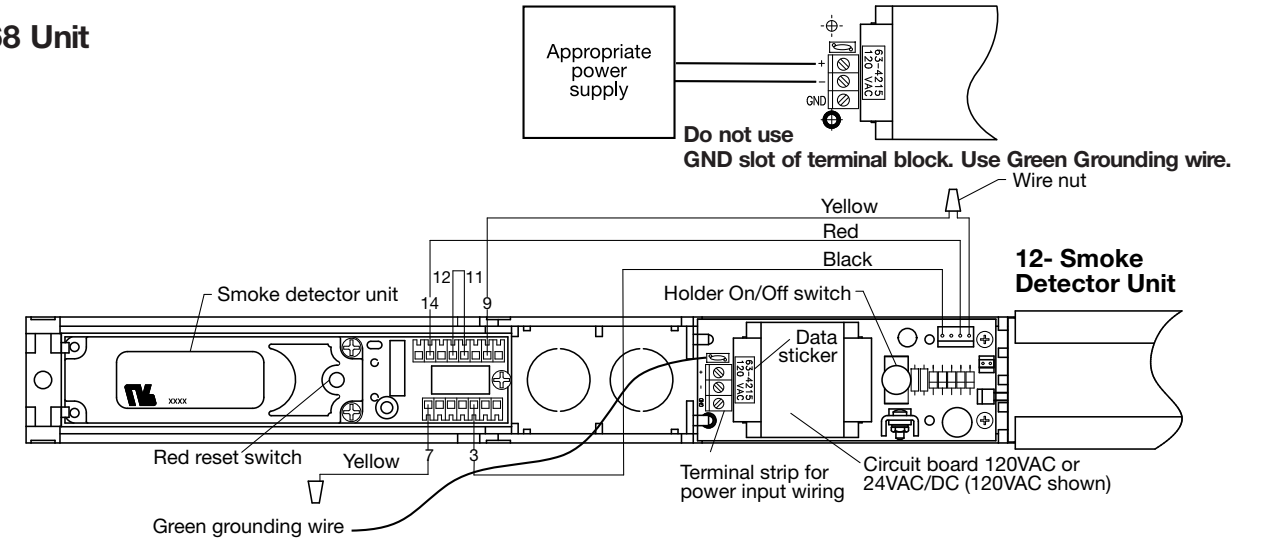
2

INSTALLER: LEAVE INSTRUCTIONS WITH BUILDING OWNER

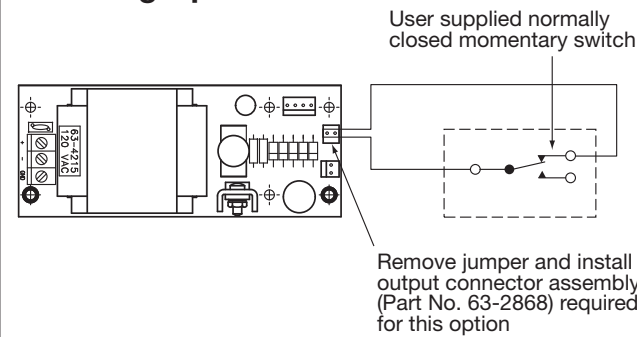
CAUTION

1. DISCONNECT ALL POWER BEFORE BEGINNING INSTALLATION TO PREVENT ELECTRICAL SHOCK AND EQUIPMENT DAMAGE.
2. INSTALLER MUST BE A TRAINED, EXPERIENCED SERVICE PERSON.
3. ALL WIRING MUST COMPLY WITH APPLICABLE LOCAL ELECTRICAL CODES, ORDINANCES AND REGULATIONS.
4. MAXIMUM WIRE SIZE IS 18AWG.

12-2468 Unit



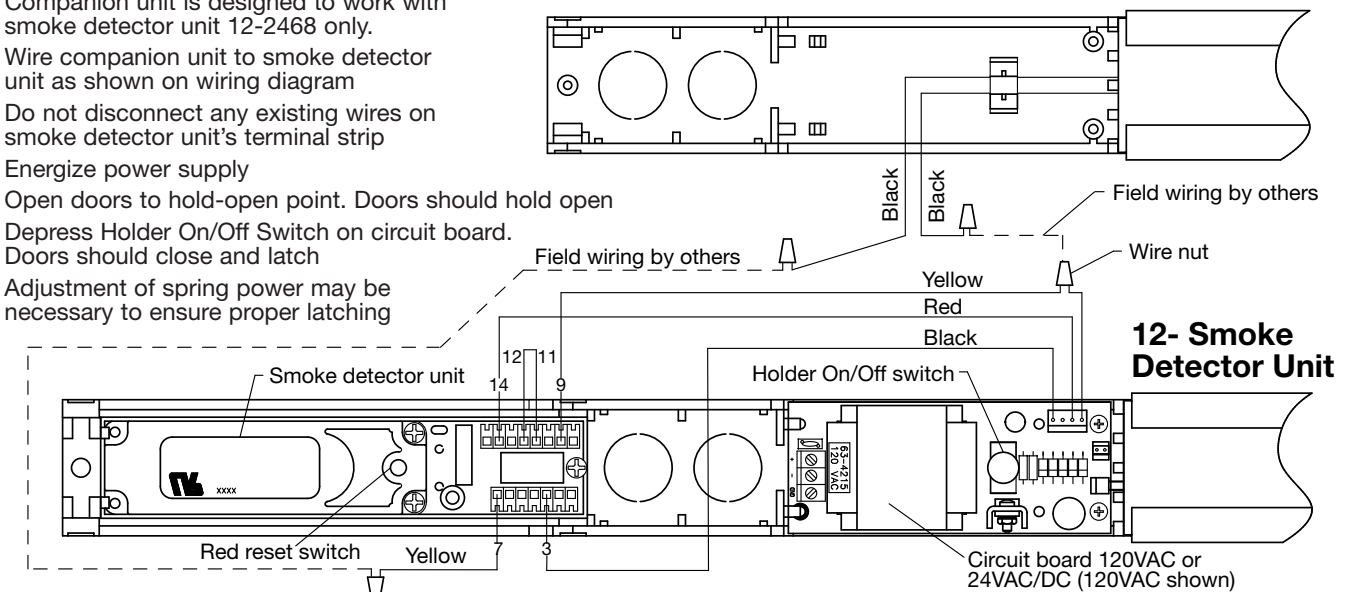
Wiring Optional Remote Push Button



- Wire stand alone unit to appropriate power supply and fire alarm. Earth ground wire connects to green wire
- Refer to data sticker for proper input voltage and current specifications
- Energize power supply. Current draw of .1 AMP per unit
- Open door to hold open point. Door should hold open
- Depress Holder On/Off Switch. Door should close and latch
- Depress Holder On/Off Switch to reactivate solenoids on both units
- Adjustment of spring power may be necessary to ensure proper latching

9- Companion Unit

- Companion unit is designed to work with smoke detector unit 12-2468 only.
- Wire companion unit to smoke detector unit as shown on wiring diagram
- Do not disconnect any existing wires on smoke detector unit's terminal strip
- Energize power supply
- Open doors to hold-open point. Doors should hold open
- Depress Holder On/Off Switch on circuit board. Doors should close and latch
- Adjustment of spring power may be necessary to ensure proper latching



SARGENT

ASSA ABLOY

ASSA ABLOY, the global leader in door opening solutions

Copyright © 2008, Sargent Manufacturing Company, an ASSA ABLOY Group company. All rights reserved. Reproduction in whole or in part without the express written permission of Sargent Manufacturing Company is prohibited. A7694C

3