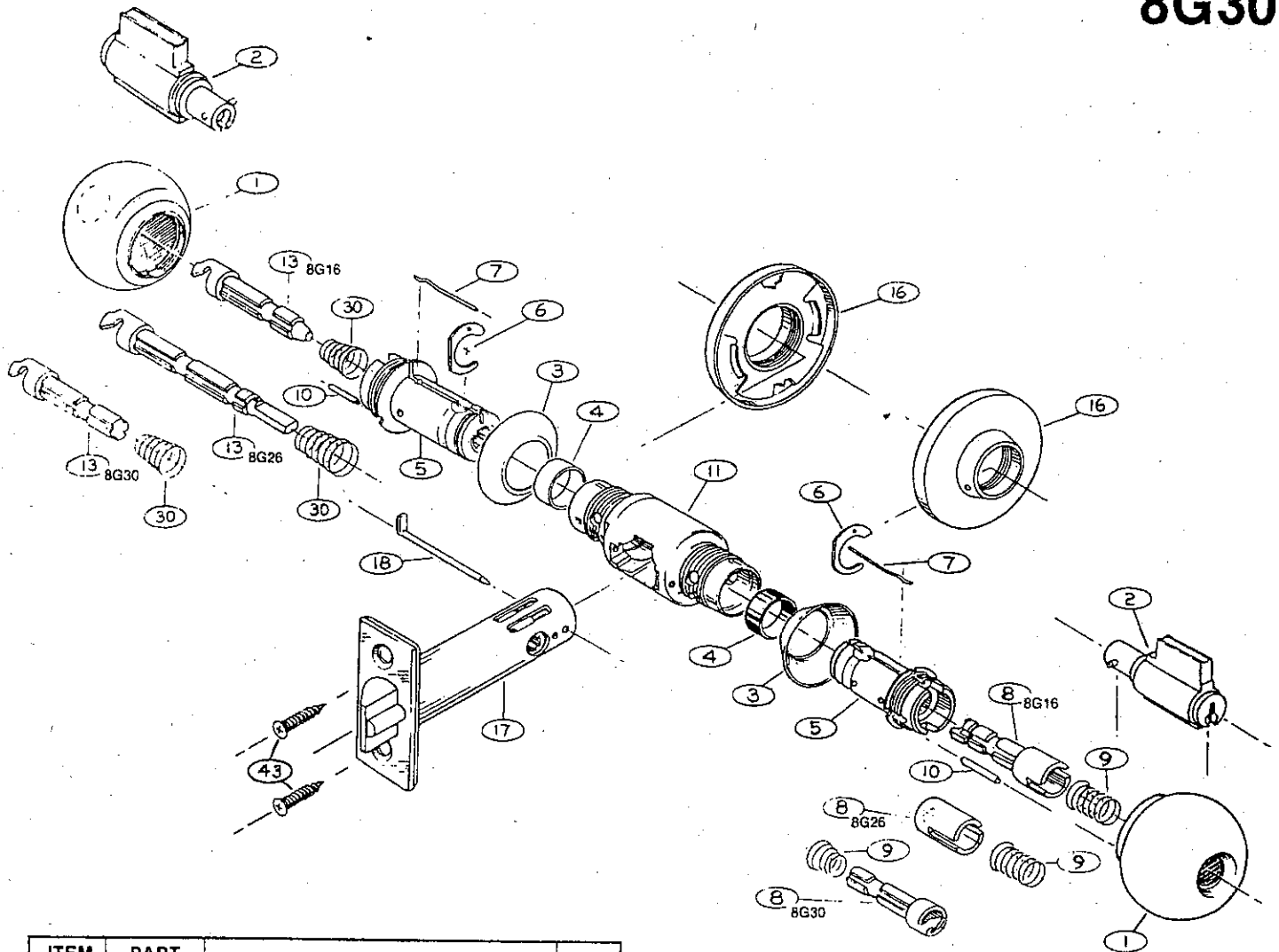


Slime

8G16
8G26
8G30



ITEM No.	PART No.	DESCRIPTION	REQ
1	08-4321	Knob, cylinder ("B shown")	2
2	13-2194	Cylinder Assembly	2
3	76-0027	Knob Collar	2
4	08-0365	Nylon Ring, outside (black)	1
4	08-0102	Nylon Ring, inside (white)	1
5	08-0100	Shank, inside & outside	2
6	09-0019	Knob Retainer	2
7	06-0185	Knob Retainer Spring	2
8	08-2777	Driver Assy., outside (16)	1
8	08-0145	Driver, outside (26)	1
8	08-2831	Locking Spindle Assy., outside (30)	1
9	08-0407	Cylinder Spring (16)	1
9	08-0408	Cylinder Spring (26)	1
9	08-0214	Spiral Cam Spring (30)	1
10	76-0563	Knob Pin	2
11	08-2670	Aligning Tube Assy. (16 funct.)	1
11	08-2673	Aligning Tube Assy. (26, 30 funct.)	1
13	08-2832	Locking Spindle Assy., inside (16)	1
13	08-4082	Locking Driver, inside (26)	1
13	08-2831	Locking Spindle Assy., inside (30)	1
16	08-3312	Rose ("O" shown)	2

ITEM No.	PART No.	DESCRIPTION	REQ
17	08-2510	Guarded Latch Assy.	1
17	08-2517	Latch Bolt Assy.— $\frac{3}{4}$ " throw (16 & 26) (41 prefix)	1
18	06-0176	Aligning Pin	1
30	08-0214	Spiral Cam Spring, inside (16 & 30)	1
30	09-0277	Ret. Spindle Spring, inside (26)	1
43	01-5000	# 8-32 x $\frac{3}{4}$ " Machine Screw	2

Parts List

Page No. Rev.
8.6 B