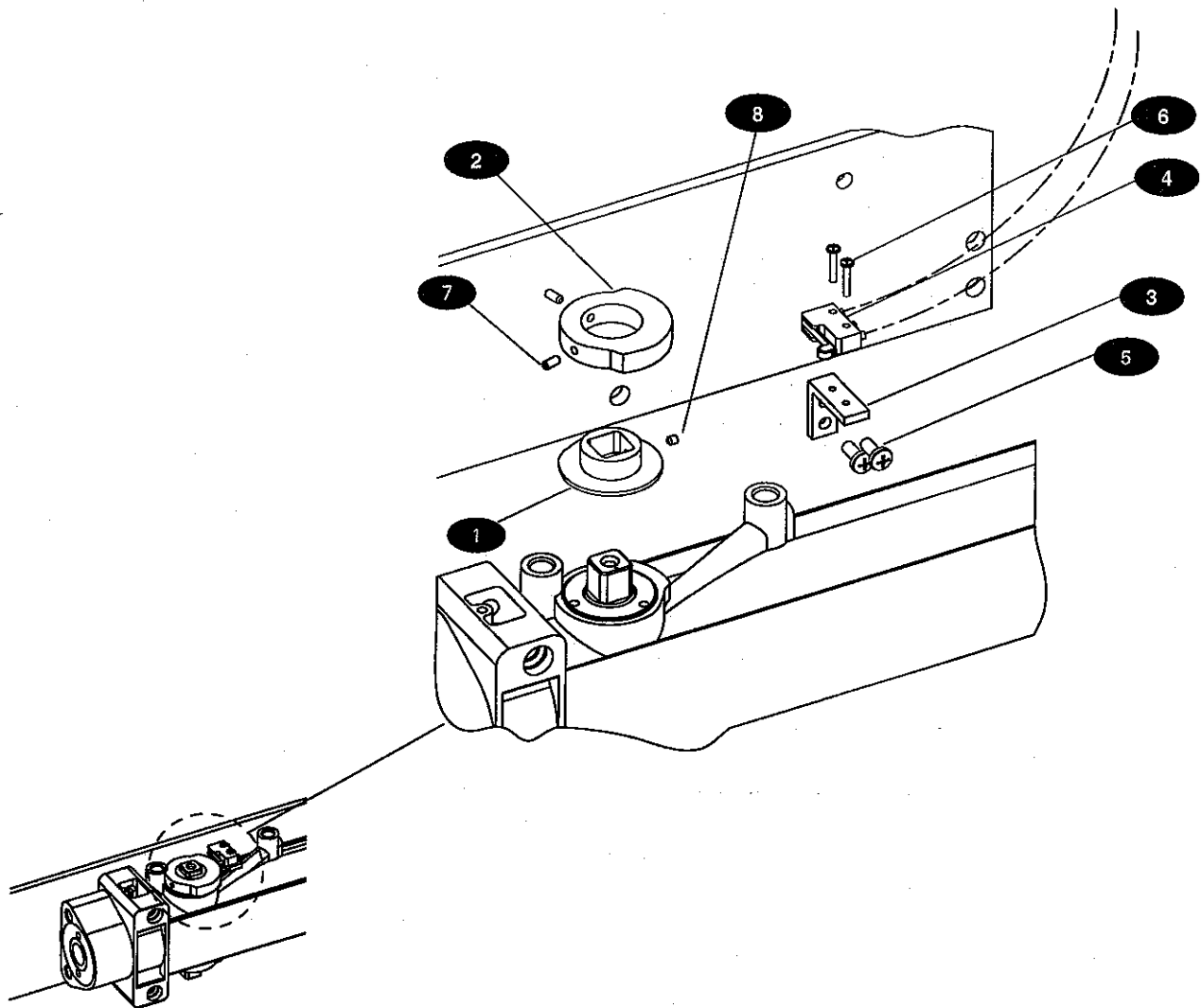


2900 Fire Guard

80-Prefix Hold Open By-Pass Switch (Available on 2960, 2970 and 2990 Series except 9- units)

PARTS LIST

PAGE NO. REV. B
29.7 10/03



#	Part No.	Description	Qty
1	63-0360	Cam Positioner	1
2	63-0370	Cam	1
3	63-0679	Switch Bracket	1
4	63-3226	Tamper Switch & Wire Assy.	1
5	01-1142	#8-32 x 1/4" Screw	2
6	01-1496	#2-56 x 1/2" Screw	2
7	01-1497	#4-40 x 1/4" Hex Set Screw	2
8	01-1498	#4-40 x 1/8" Hex Set Screw	1
9	63-3787	Kit includes all of above	