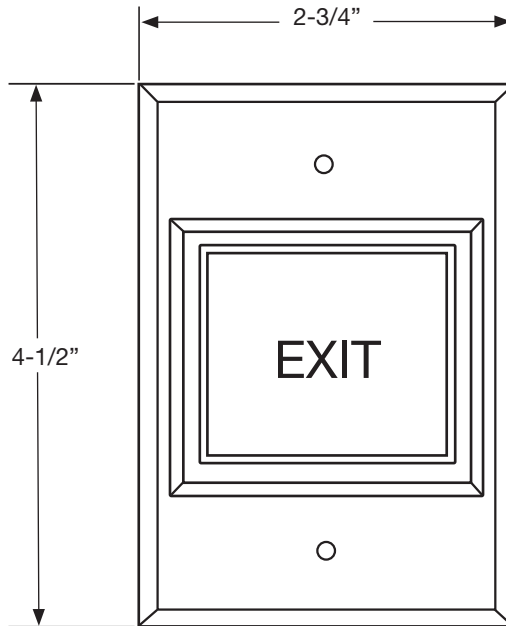


**1 GENERAL INFORMATION**

SARGENT Model 4299 Wall Switch is a momentary contact switch.

**2 SPECIFICATIONS**

Face Plate	Stainless Steel; 4-1/2" x 2-3/4"
Push Button	Illuminated Green "EXIT"
Contact Rating	10A @ 125VAC 6A @ 30VDC
Switch Type	Normally Open (N.O.) Momentary contact (SPDT)



**3 INSTALLATION INSTRUCTIONS**

**A. Important**

- 1. CAUTION:** Disconnect all power before beginning installation to prevent electrical shock and equipment damage.
2. Installer must be a trained and experienced service person.
3. All wiring must comply with applicable local electrical codes, ordinances and regulations.

**INSTALLATION (continued)**

**B. Installation**

1. Mount a single-gang outlet box to stud or other rigid structure.
2. To meet ADA requirements, the following must be observed:

**Reach Ranges**

- If a clear floor space allows only a forward approach, the maximum high forward reach shall be 48".
- The minimum low forward reach shall be 15".

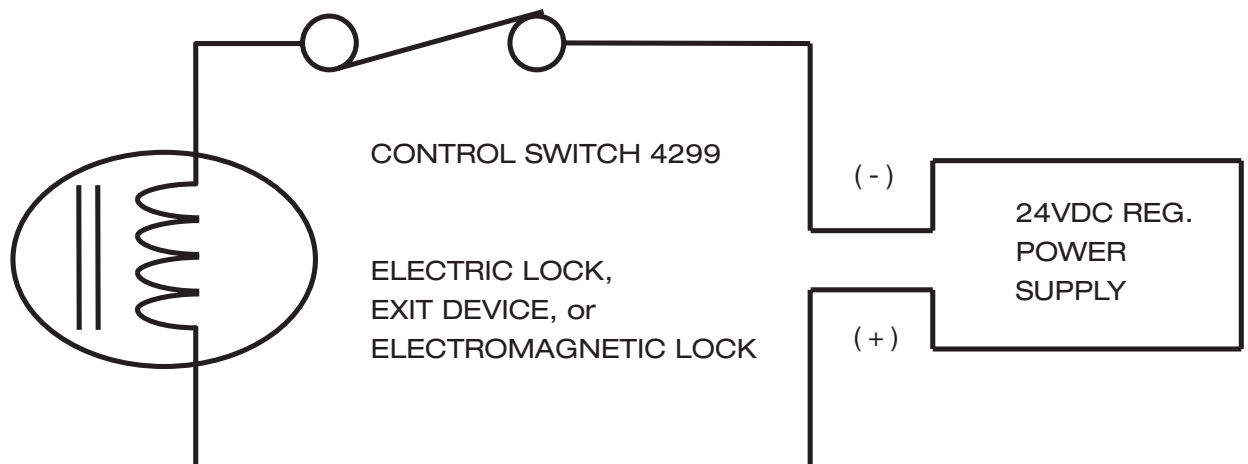
If the high forward reach is over an obstruction, the following conditions shall be met:

- Knee space below obstruction shall equal or exceed reach length required above the obstruction.
- If the obstruction is less than 20" deep, the maximum high forward reach shall be 48".
- If the obstruction is 20-25" deep, the maximum high forward reach shall be 44".
- If a clear floor space allows a parallel approach, the maximum high side reach shall be 54".
- The minimum low side reach shall be 9".

If the high side reach is over an obstruction, the following conditions shall be met:

- Obstruction shall be 34" maximum in height, 24" in depth, maximum high side reach shall be 46".

**Typical Wiring for Basic System**



Pressing the button will momentarily release the lock. The lock will remain unlocked as long as the push button is held depressed.