

INSTALLATION INSTRUCTIONS FOR T-Zone™ Lever Lock with High Security Lever Attachment (SL- Prefix)

SARGENT®

ASSA ABLOY

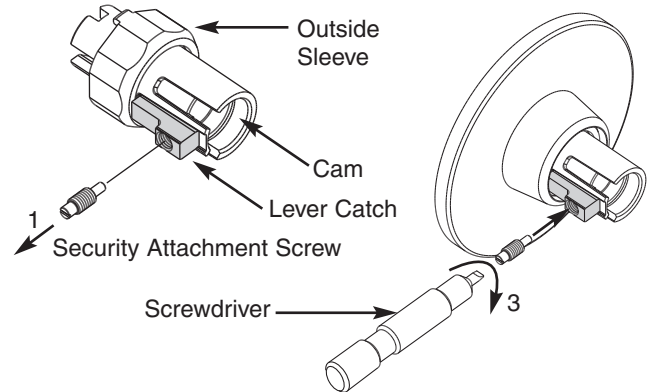
FOR INSTALLATION ASSISTANCE CALL SARGENT AT 1-800-727-5477 • www.sargentlock.com

1 Lock Body Assembly

1. Prep door and install lock bearing and latch according to T-Zone Installation Instructions A7469, steps 1 through 5.
2. Complete assembly of lock with Security Lever Attachment according to the following steps.

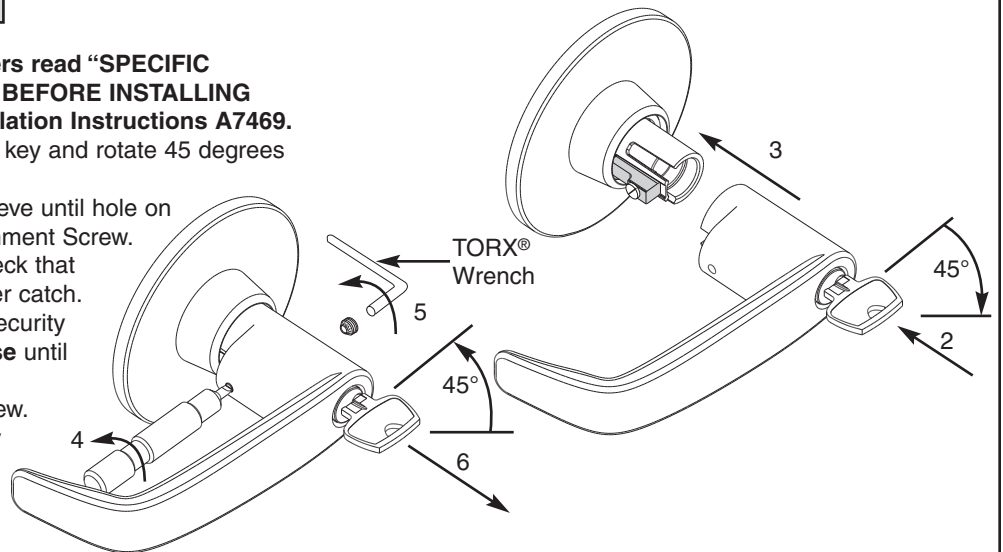
2 Security Attachment Screw

1. Using screwdriver provided, unscrew the Security Attachment Screw from lever catch on the outside sleeve.
IMPORTANT – Keep screw for reinstallation.
2. Install outside and inside sleeves and roses according to Installation Instructions A7649, steps 6 & 7.
3. **PLEASE NOTE – THE CAM IN THE OUTSIDE SLEEVE MUST BE ROTATED SO THE LARGE SLOT IS HORIZONTAL. THIS ALLOWS THE SECURITY SCREW TO THREAD INTO THE CAM.**
Insert the Security Attachment Screw into black lever catch assembly and tighten until screw head is within approximately 1/8" of black lever catch. **DO NOT OVERTIGHTEN.**



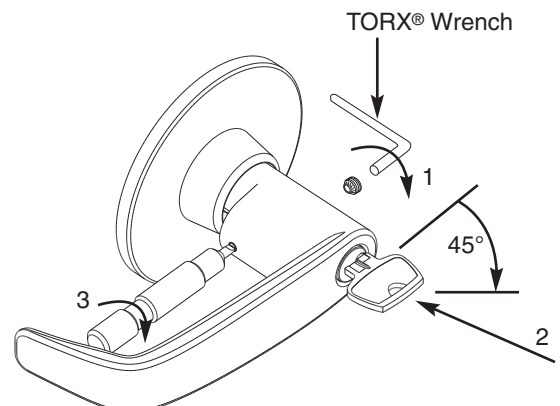
3 Lever Installation

1. **IMPORTANT: Before installing levers read "SPECIFIC INSTRUCTIONS PER FUNCTION – BEFORE INSTALLING LEVER" on page 4 of T-Zone Installation Instructions A7469.**
2. Place cylinder in outside lever. Insert key and rotate 45 degrees clockwise.
3. With key rotated, push lever onto sleeve until hole on inside of lever is over Security Attachment Screw. If screw interferes with assembly, check that screw is fully threaded into black lever catch.
4. Using screwdriver provided, rotate Security Attachment Screw **counter-clockwise** until flush with surface of lever.
5. Secure lever with 6 lobe security screw. Screw should be flush when properly tightened.
6. Rotate key to horizontal and remove.
7. Assemble inside lever and secure with 6 lobe TORX® security screw.



Cylinder Removal

1. Remove security screw on outside of lever with TORX® wrench.
2. Insert key and **rotate key 45° clockwise; keep key in this position.**
3. Using screwdriver, tighten the Security Attachment Screw **clockwise** until it clears the lever.
4. Remove lever and remove key.
5. Remove cylinder from lever and install new cylinder.
6. Reinstall lever following step 3 above.



Copyright © 2009, Sargent Manufacturing Company, an ASSA ABLOY Group company. All rights reserved. Reproduction in whole or in part without the express written permission of Sargent Manufacturing Company is prohibited.

ASSA ABLOY, the global leader in door opening solutions

A7668A