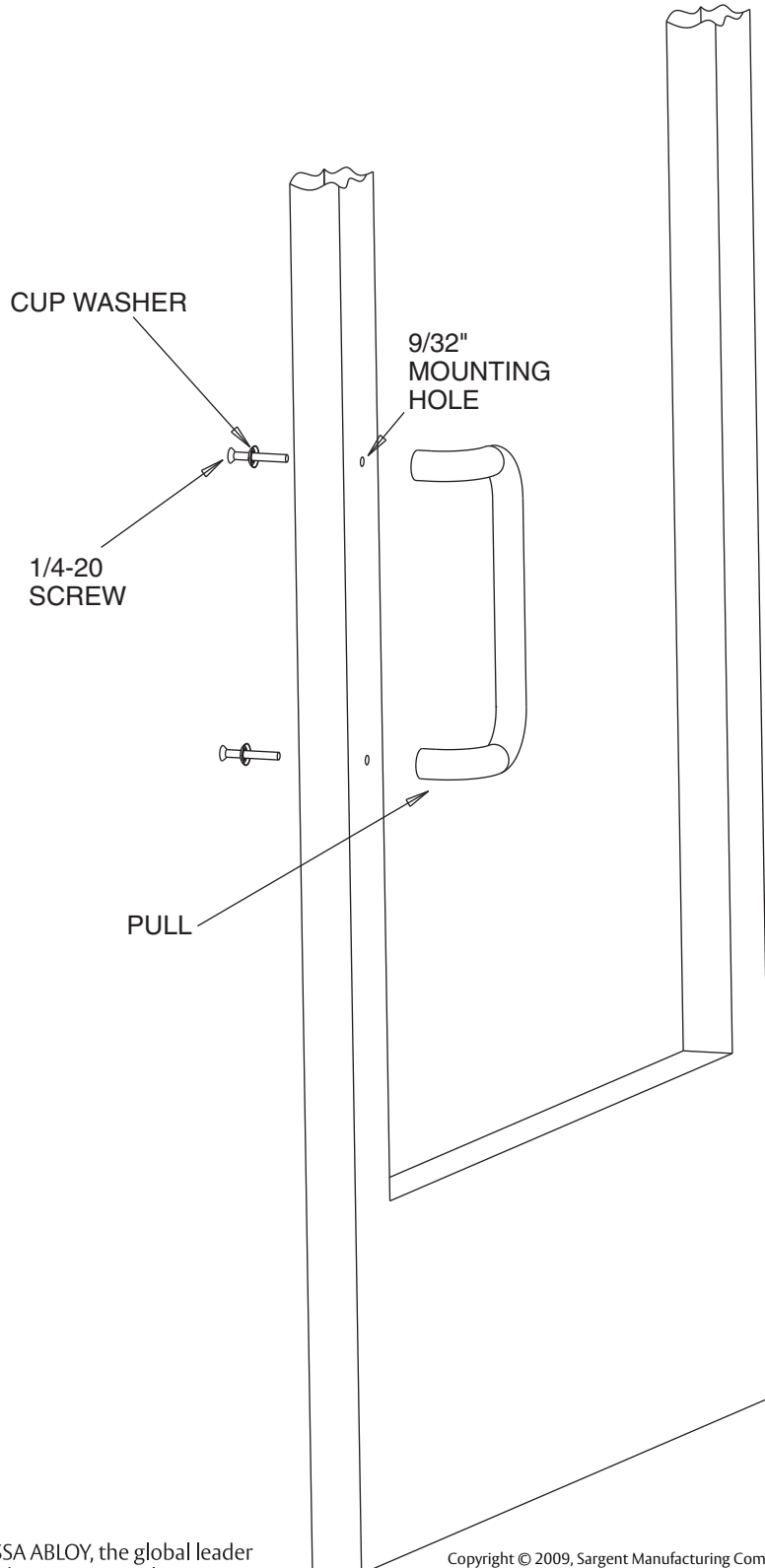


# OFFSET PULL TRIMS 862, 863 AND 864 INSTALLATION INSTRUCTIONS

**SARGENT**  
**ASSA ABLOY**

**WARNING:**  
**BEFORE INSTALLATION, CHECK FOR EXIT DEVICE APPLICATION.**  
**(SEE NOTE).**



## TO INSTALL THE PULL:

1. DETERMINE AND MARK LOCATION OF MOUNTING HOLES.

## ATTENTION:

**MAKE SURE THAT THRU BOLT  
WILL NOT INTERFERE  
WITH CONCEALED HARDWARE.**

**\*NOTE:** ONE OF THE SCREWS MAY BE THRU BOLTED THRU AN EXIT DEVICE CHASSIS, EXCEPT CONCEALED VERTICAL ROD APPLICATION. PULL TRIM MUST BE MOUNTED OFFSET FROM THE BACKSET ON CONCEALED VERTICAL ROD EXIT DEVICE APPLICATIONS.

2. DRILL TWO 9/32" MOUNTING HOLES THRU THE DOOR.
3. USING TWO 1/4-20 SCREWS WITH CUP WASHERS, INSTALL PULL ON THE DOOR.
4. TIGHTEN THE SCREWS.