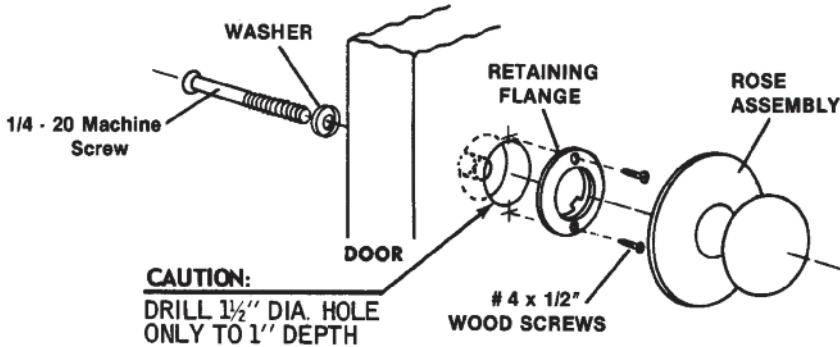


INSTRUCTIONS FOR INSTALLING THE SARGENT BORED LOCK U93 KNOB PULL



- A** LOCATE AND BORE HOLES IN DOOR USING TEMPLATE AT BOTTOM OF THIS SHEET.
- B** MOUNT RETAINING FLANGE IN COUNTER BORE HOLE AND FASTEN IN PLACE WITH THE TWO # 4 x 1/2" WOOD SCREWS.
- C** ENGAGE ROSE ASSEMBLY SLOTS AND RETAINING FLANGE TABS AND FASTEN WITH 1/4-20 x 1 3/8" MACHINE SCREW FOR 1 3/4" DOORS. FOR 1 1/2" DOORS OR LESS USE 1/4-20 x 1" MACHINE SCREW.

TEMPLATE FOR U93 KNOB PULL

