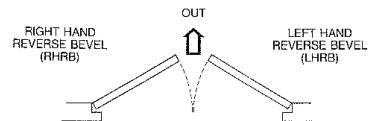


INSTRUCTIONS FOR INSTALLING SARGENT® 5100 SERIES 04 FUNCTION ALARMED EXIT LOCK

- FOR OUTSIDE CYLINDER OPERATION
- WITH OR WITHOUT OUTSIDE PULL TRIM

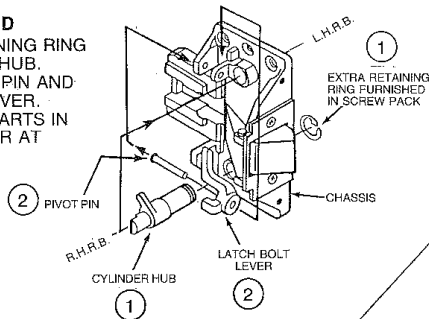
CAUTION: BEFORE STARTING

- DOOR SHOULD BE FITTED AND HUNG
- CHECK HAND—CHASSIS IS NORMALLY ASSEMBLED FOR A RIGHT HAND REVERSE BEVEL DOOR AT THE FACTORY.



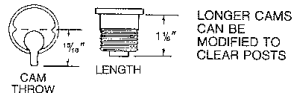
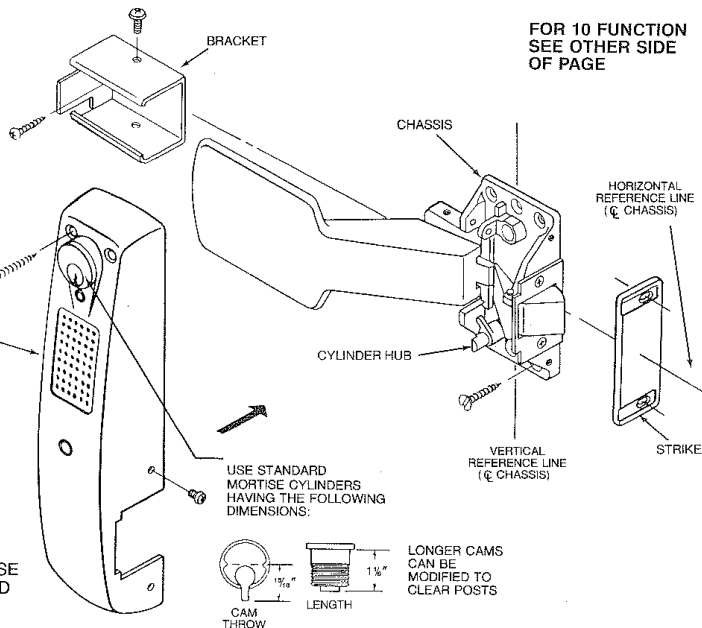
TO CHANGE HAND

1. REMOVE RETAINING RING AND CYLINDER HUB.
2. REMOVE PIVOT PIN AND LATCH BOLT LEVER.
3. REASSEMBLE PARTS IN REVERSE ORDER AT OPPOSITE END.



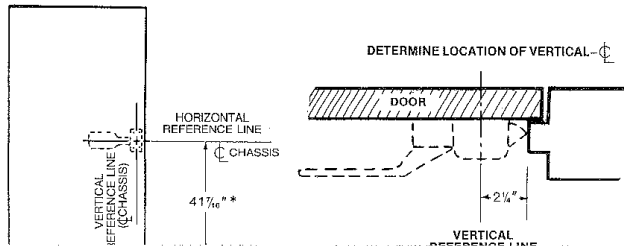
NOTE: IF OUTSIDE CYLINDER IS NOT USED—REMOVE RETAINING RING, CYLINDER HUB, PIVOT PIN AND LATCH BOLT LEVER. USE INSTRUCTIONS FOR 10 FUNCTION ON OTHER SIDE OF PAGE

RIGHT HAND REVERSE BEVEL ILLUSTRATED



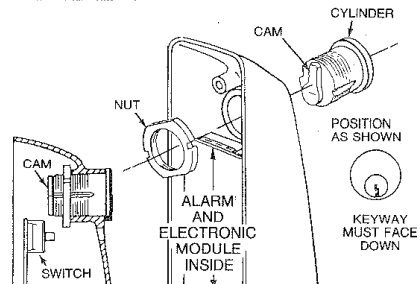
LONGER CAMS CAN BE MODIFIED TO CLEAR POSTS

A MARK VERTICAL AND HORIZONTAL REFERENCE LINES ON DOOR



D ASSEMBLE CYLINDER

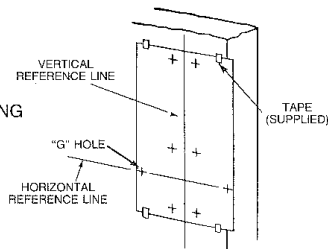
ASSEMBLE CYLINDER THRU HOLE IN COVER WITH CAM IN POSITION AS SHOWN. THREAD NUT ON CYLINDER AND TIGHTEN (USE NOTCHES IN NUT IF NECESSARY) TEST CYLINDER WITH KEY FOR FREE ROTATION, CAM MUST ENGAGE SWITCH.



*EXCEPT WHEN USING A.N.S.I. DOOR PREPARATION (SEE TEMPLATE)

B PREPARE DOOR

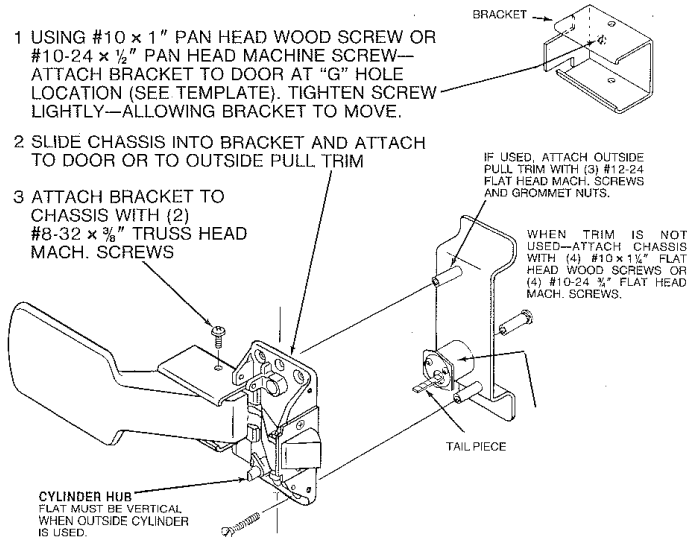
TAPE TEMPLATE ON DOOR ALONG REFERENCE LINES.
SPOT AND DRILL HOLES

**C APPLY HARDWARE**

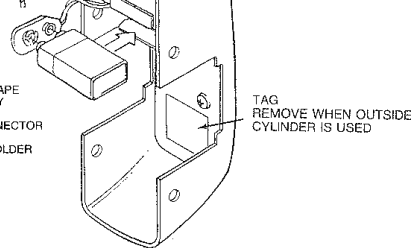
1 USING #10 x 1" PAN HEAD WOOD SCREW OR #10-24 x 1/2" PAN HEAD MACHINE SCREW—ATTACH BRACKET TO DOOR AT "G" HOLE LOCATION (SEE TEMPLATE). TIGHTEN SCREW LIGHTLY—ALLOWING BRACKET TO MOVE.

2 SLIDE CHASSIS INTO BRACKET AND ATTACH TO DOOR OR TO OUTSIDE PULL TRIM

3 ATTACH BRACKET TO CHASSIS WITH (2) #8-32 x 3/8" TRUSS HEAD MACH. SCREWS

**INSTALL BATTERY**

REMOVE PROTECTIVE TAPE FROM BATTERY TERMINALS.
SNAP-ON CONNECTOR AND INSTALL BATTERY IN HOLDER

**E MOUNT COVER AND STRIKE**

1 **IMPORTANT:** MAKE SURE THAT FLAT ON CYLINDER HUB IS VERTICAL

FLAT SURFACE AND EARS ALWAYS FACE LEFT

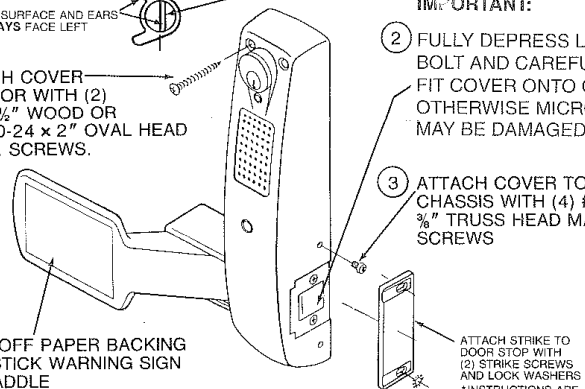
4 ATTACH COVER TO DOOR WITH (2) #8 x 2 1/2" WOOD OR (2) #10-24 x 2" OVAL HEAD MACH. SCREWS.

IMPORTANT:

2 FULLY DEPRESS LATCH BOLT AND CAREFULLY FIT COVER ONTO CHASSIS, OTHERWISE MICROSWITCH MAY BE DAMAGED.

3 ATTACH COVER TO CHASSIS WITH (4) #8-32 x 3/8" TRUSS HEAD MACH. SCREWS

PEEL OFF PAPER BACKING AND STICK WARNING SIGN ON PADDLE



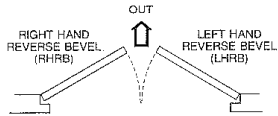
CAUTION: ADJUST STRIKE SO THAT LATCH BOLT IS FREE TO EXTEND AT ALL TIMES

INSTRUCTIONS FOR INSTALLING SARGENT® 5100 SERIES 10 FUNCTION ALARMED EXIT LOCK

- EXIT ONLY (NO OUTSIDE CYLINDER)
- NON-HANDED
- WITH OR WITHOUT OUTSIDE PULL TRIM

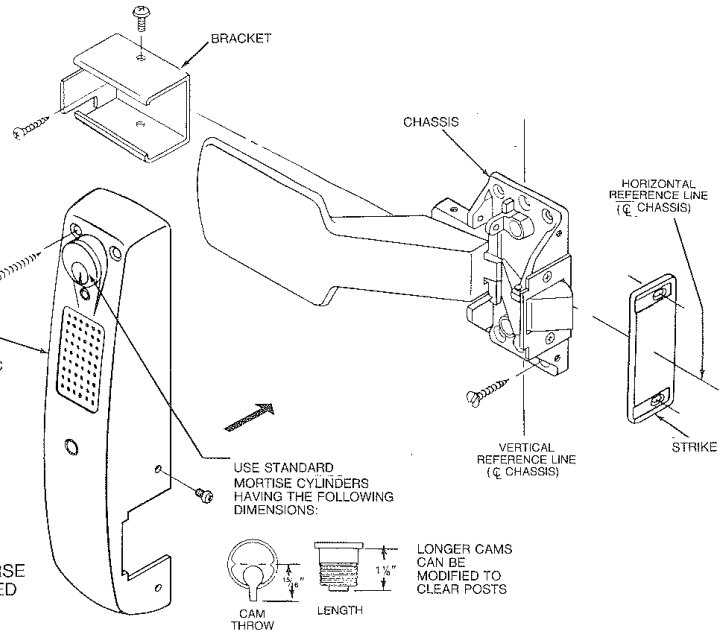
FOR O4 FUNCTION, SEE
OTHER SIDE OF PAGE

BEFORE STARTING, DOOR SHOULD BE FITTED AND HUNG

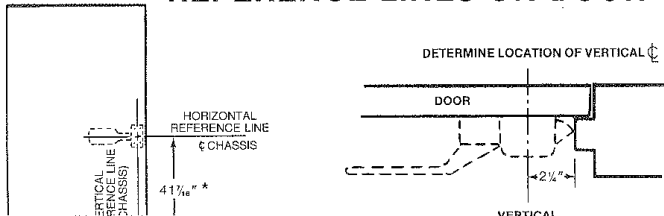


RIGHT HAND REVERSE
BEVEL ILLUSTRATED

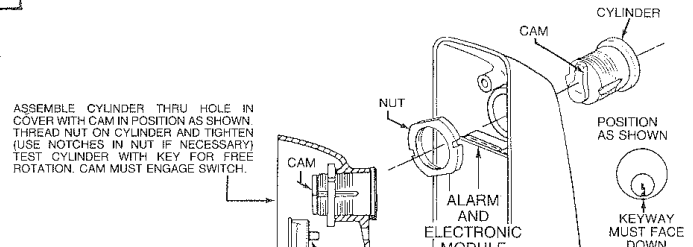
COVER
CONTAINS
ELECTRONIC
AND ALARM
MODULE

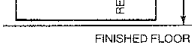


A MARK VERTICAL AND HORIZONTAL REFERENCE LINES ON DOOR



D ASSEMBLE CYLINDER



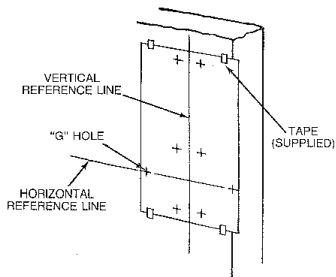


FINISHED FLOOR

*EXCEPT WHEN USING A.N.S.I. DOOR PREPARATION (SEE TEMPLATE)

B PREPARE DOOR

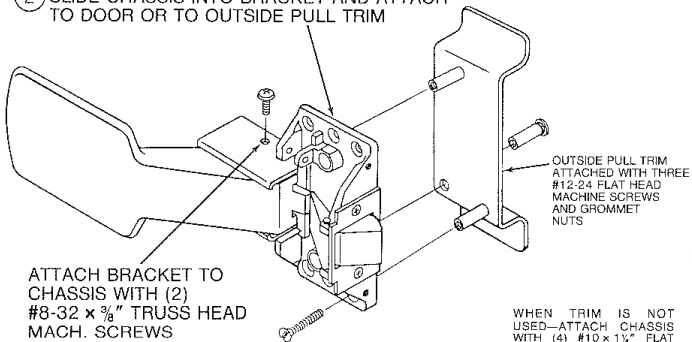
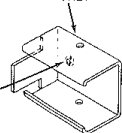
TAPE TEMPLATE ON DOOR ALONG REFERENCE LINES. SPOT AND DRILL HOLES



C APPLY HARDWARE

- 1 USING #10 x 1" PAN HEAD WOOD SCREW OR #10-24 x 1/2" PAN HEAD MACHINE SCREW—ATTACH BRACKET TO DOOR AT "G" HOLE LOCATION (SEE TEMPLATE). TIGHTEN SCREW LIGHTLY—ALLOWING BRACKET TO MOVE.
- 2 SLIDE CHASSIS INTO BRACKET AND ATTACH TO DOOR OR TO OUTSIDE PULL TRIM

BRACKET

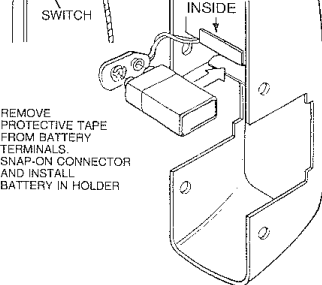


ATTACH BRACKET TO CHASSIS WITH (2) #8-32 x 3/8" TRUSS HEAD MACH. SCREWS

WHEN TRIM IS NOT USED—ATTACH CHASSIS WITH (4) #10 x 1 1/2" FLAT HEAD WOOD SCREWS OR (4) #10-24 3/4" FLAT HEAD MACH. SCREWS.

INSTALL BATTERY

REMOVE PROTECTIVE TAPE FROM BATTERY TERMINALS. SNAP-ON CONNECTOR AND INSTALL BATTERY IN HOLDER



E MOUNT COVER AND STRIKE

- 1 IMPORTANT: MAKE SURE THAT FLAT ON CYLINDER HUB IS VERTICAL

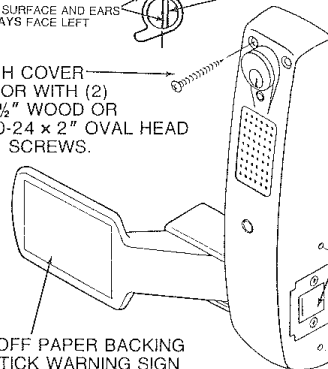
FLAT SURFACE AND EARS ALWAYS FACE LEFT



IMPORTANT:

- 4 ATTACH COVER TO DOOR WITH (2) #8 x 2 1/2" WOOD OR (2) #10-24 x 2" OVAL HEAD MACH. SCREWS.

- 2 FULLY DEPRESS LATCH BOLT AND CAREFULLY FIT COVER ONTO CHASSIS. OTHERWISE MICROSWITCH MAY BE DAMAGED.



PEEL OFF PAPER BACKING AND STICK WARNING SIGN ON PADDLE

- 3 ATTACH COVER TO CHASSIS WITH (4) #8-32 x 3/8" TRUSS HEAD MACH. SCREWS

ATTACH STRIKE TO DOOR STOP WITH (2) STRIKE SCREWS AND LOCK WASHERS *INSTRUCTIONS ARE PACKED WITH STRIKE

CAUTION:
ADJUST STRIKE SO THAT LATCH BOLT IS FREE TO EXTEND AT ALL TIMES